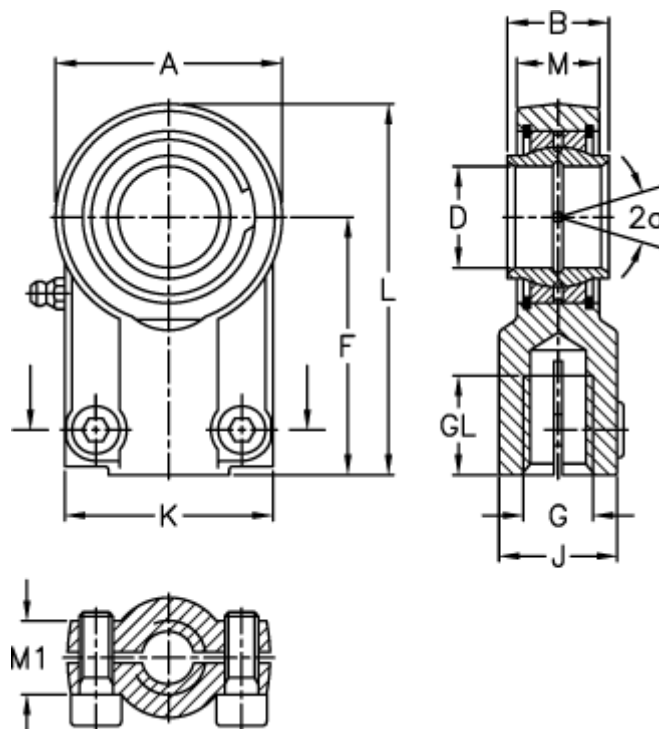


Article number: 03551020

Description: Fluro hydraulic rod end FPR 20CE

Measures



A	= 47	J	= 25
a (degrees)	= 4	K	= 47
B	= 20	L	= 75
D	= 20	M	= 17.8
Dynamic load C (kN)	= 30	M1	= 18.7
F	= 52	Static load C0 (kN)	= 48
g	= M16x1,5	Torque (N m)	= 25
GL	= 23	Weight	= 350